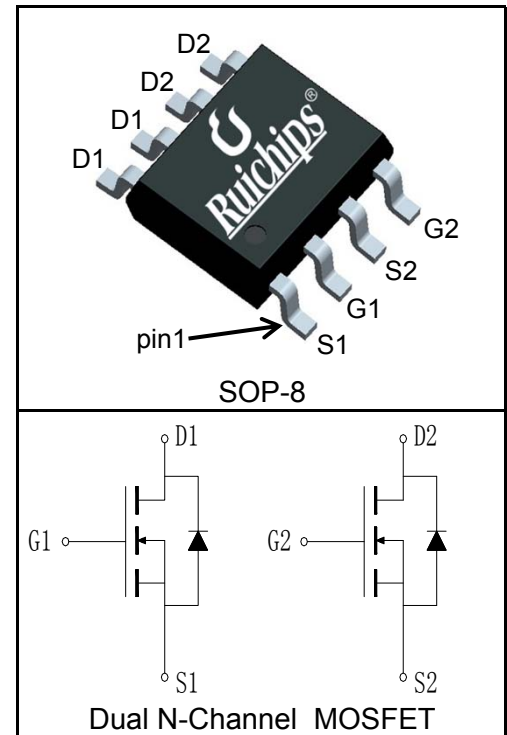


Features

- 30V/20A,
 $R_{DS(ON)} = 9m\Omega(Typ.)@V_{GS}=10V$
 $R_{DS(ON)} = 11.5m\Omega(Typ.)@V_{GS}=4.5V$
- Ultra Low On-Resistance
- High Switching Speed
- Lead Free and Green Devices Available (RoHS Compliant)

Applications

- Power Management.
- Switch Applications.
- Load switch

Pin Description

Absolute Maximum Ratings

| Symbol | Parameter | Rating | Unit |
|--|--|-------------------------|--------------|
| Common Ratings ($T_A=25^\circ C$ Unless Otherwise Noted) | | | |
| V_{DSS} | Drain-Source Voltage | 30 | V |
| V_{GSS} | Gate-Source Voltage | ± 20 | |
| T_J | Maximum Junction Temperature | 150 | $^\circ C$ |
| T_{STG} | Storage Temperature Range | -55 to 150 | $^\circ C$ |
| I_S | Diode Continuous Forward Current | $T_A=25^\circ C$ 20 | A |
| Mounted on Large Heat Sink | | | |
| $I_{DP}^{①}$ | 300 μs Pulse Drain Current Tested | $T_A=25^\circ C$ 80 | A |
| $I_D^{②}$ | Continuous Drain Current($V_{GS}=10V$) | $T_A=25^\circ C$ 20 | A |
| | | $T_A=70^\circ C$ 13 | |
| P_D | Maximum Power Dissipation | $T_A=25^\circ C$ 2.5 | W |
| | | $T_A=70^\circ C$ 1.6 | |
| $R_{\theta JC}$ | Thermal Resistance-Junction to Case | - | $^\circ C/W$ |
| $R_{\theta JA}^{③}$ | Thermal Resistance-Junction to Ambient | 50 | $^\circ C/W$ |
| Drain-Source Avalanche Ratings | | | |
| $E_{AS}^{④}$ | Avalanche Energy, Single Pulsed | - | mJ |

Electrical Characteristics ($T_A=25^\circ\text{C}$ Unless Otherwise Noted)

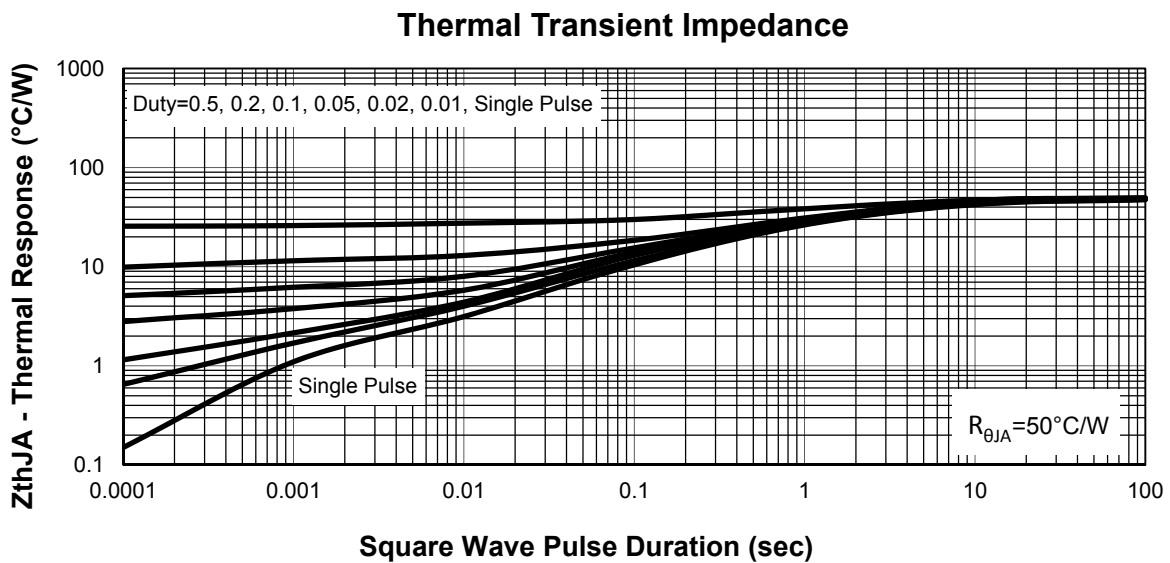
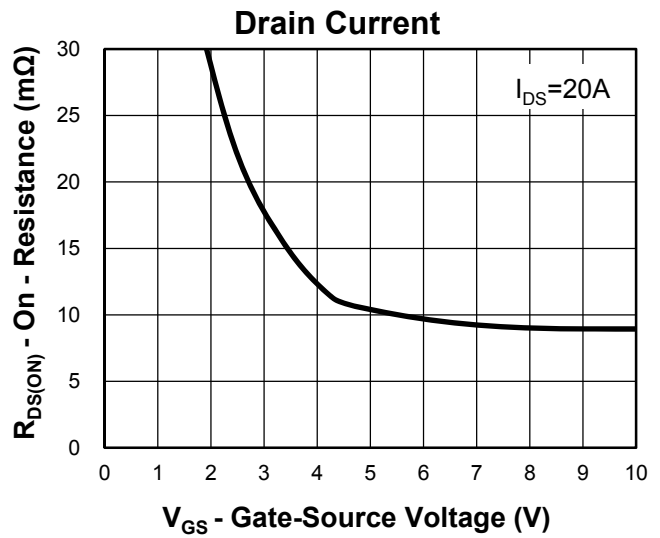
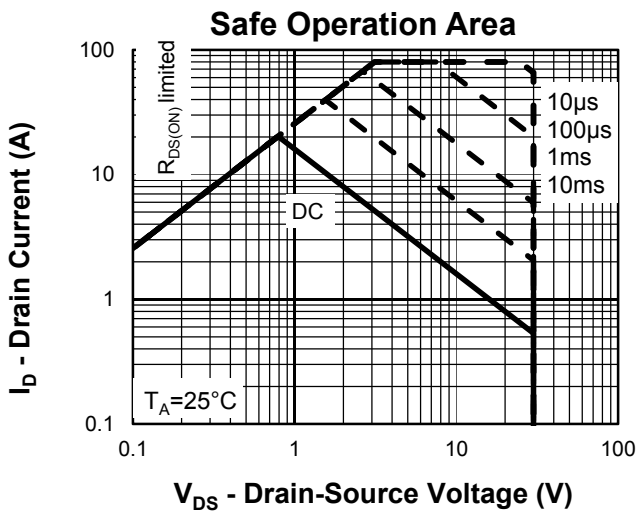
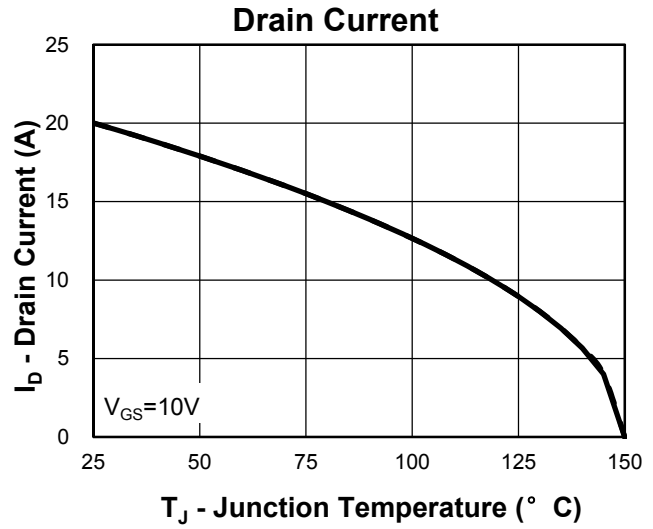
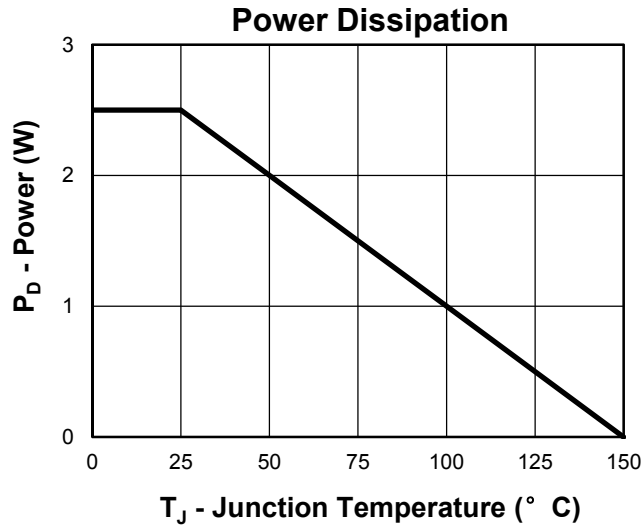
| Symbol | Parameter | Test Condition | RUH30D20H | | | Unit |
|---|----------------------------------|---|-----------|------|-----------|-----------|
| | | | Min. | Typ. | Max. | |
| Static Characteristics | | | | | | |
| BV_{DSS} | Drain-Source Breakdown Voltage | $V_{GS}=0V, I_{DS}=250\mu A$ | 30 | | | V |
| I_{DSS} | Zero Gate Voltage Drain Current | $V_{DS}=30V, V_{GS}=0V$ | | | 1 | μA |
| | | $T_J=125^\circ C$ | | | 30 | |
| $V_{GS(th)}$ | Gate Threshold Voltage | $V_{DS}=V_{GS}, I_{DS}=250\mu A$ | 1 | 2 | 3 | V |
| I_{GSS} | Gate Leakage Current | $V_{GS}=\pm 20V, V_{DS}=0V$ | | | ± 100 | nA |
| $R_{DS(ON)}^{(5)}$ | Drain-Source On-state Resistance | $V_{GS}=10V, I_{DS}=10A$ | | 9 | 12 | $m\Omega$ |
| | | $V_{GS}=4.5V, I_{DS}=8A$ | | 11.5 | 14 | $m\Omega$ |
| Diode Characteristics | | | | | | |
| $V_{SD}^{(5)}$ | Diode Forward Voltage | $I_{SD}=20A, V_{GS}=0V$ | | | 1.2 | V |
| t_{rr} | Reverse Recovery Time | $I_{SD}=20A, di_{SD}/dt=100A/\mu s$ | | 23 | | ns |
| Q_{rr} | Reverse Recovery Charge | | | 12 | | nC |
| Dynamic Characteristics ^⑥ | | | | | | |
| R_G | Gate Resistance | $V_{GS}=0V, V_{DS}=0V, F=1MHz$ | | 1 | | Ω |
| C_{iss} | Input Capacitance | $V_{GS}=0V,$ $V_{DS}=15V,$ Frequency=1.0MHz | | 910 | | pF |
| C_{oss} | Output Capacitance | | | 220 | | |
| C_{rss} | Reverse Transfer Capacitance | | | 25 | | |
| $t_{d(ON)}$ | Turn-on Delay Time | $V_{DD}=15V, I_{DS}=20A,$ $V_{GEN}=10V, R_G=3\Omega$ | | 8 | | ns |
| t_r | Turn-on Rise Time | | | 13 | | |
| $t_{d(OFF)}$ | Turn-off Delay Time | | | 19 | | |
| t_f | Turn-off Fall Time | | | 6 | | |
| Gate Charge Characteristics ^⑥ | | | | | | |
| Q_g | Total Gate Charge | $V_{DS}=24V, V_{GS}=10V,$ $I_{DS}=20A$ | | 19 | | nC |
| Q_{gs} | Gate-Source Charge | | | 5 | | |
| Q_{gd} | Gate-Drain Charge | | | 7 | | |

- Notes:
- ① Pulse width limited by safe operating area.
 - ② Calculated continuous current based on maximum allowable junction temperature.
 - ③ When mounted on 1 inch square copper board, $t \leq 10$ sec. The value in any given application depends on the user's specific board design.
 - ④ Limited by T_{Jmax} . Starting $T_J = 25^\circ C$.
 - ⑤ Pulse test; Pulse width $\leq 300\mu s$, duty cycle $\leq 2\%$.
 - ⑥ Guaranteed by design, not subject to production testing.

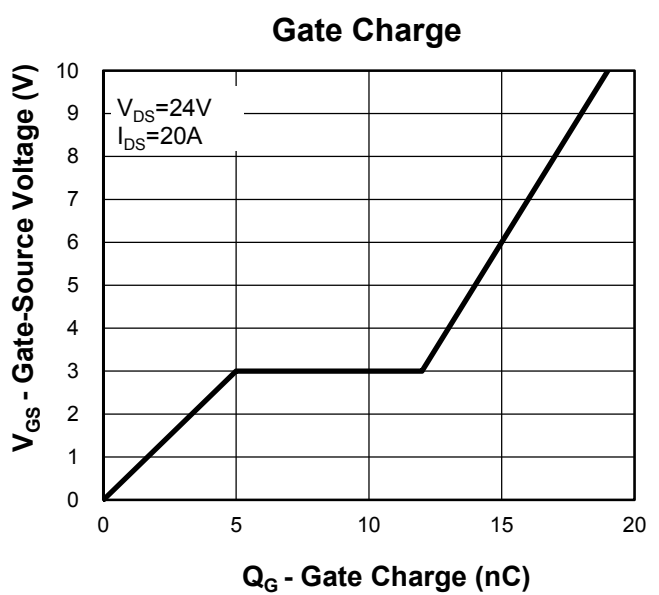
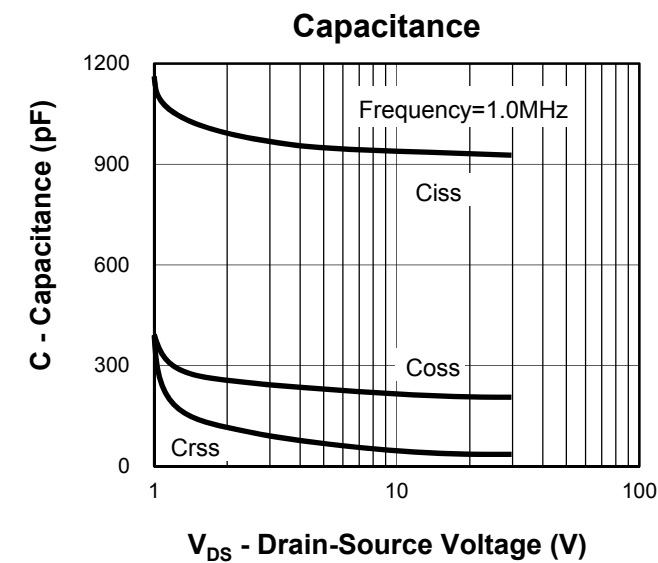
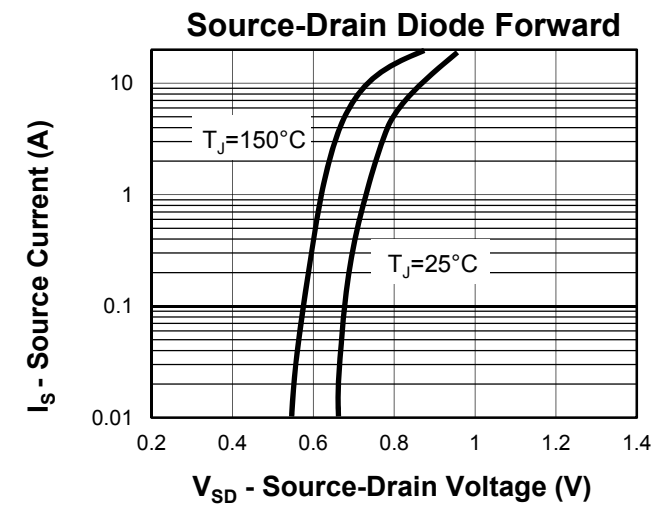
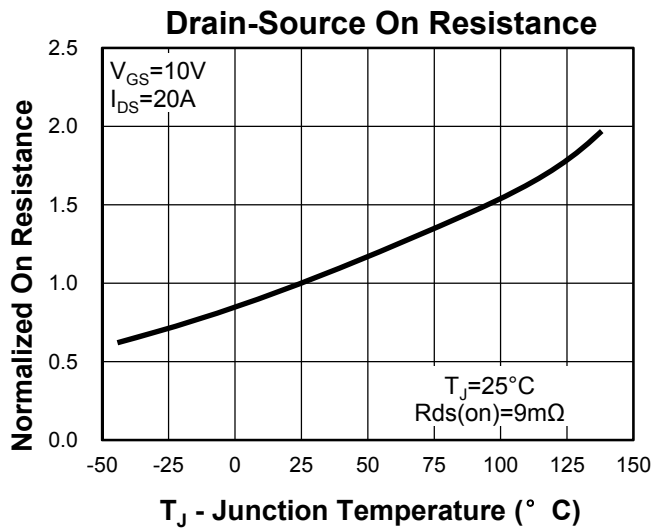
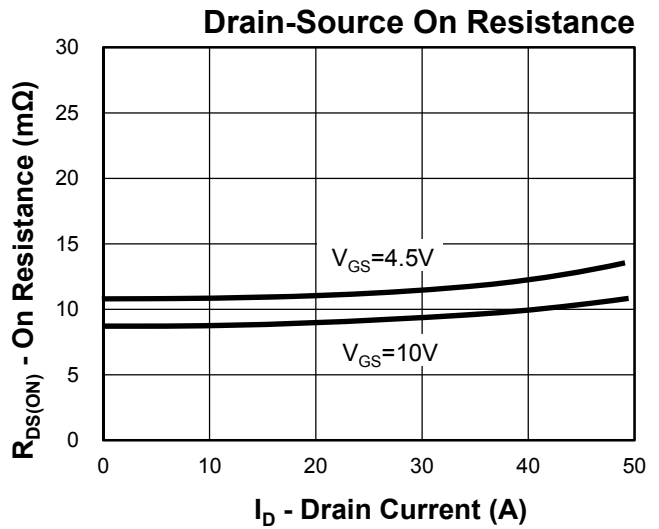
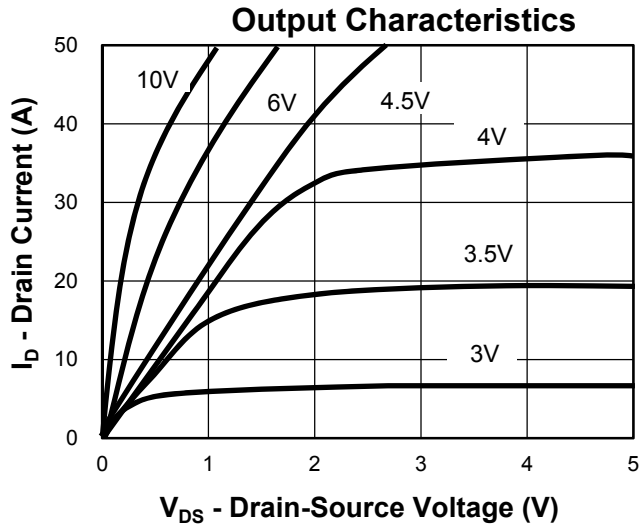
Ordering and Marking Information

| Device | Marking | Package | Packaging | Quantity | Reel Size | Tape width |
|---------------|----------------|----------------|------------------|-----------------|------------------|-------------------|
| RUH30D20H | RUH30D20H | SOP-8 | Tape&Reel | 2500 | 13" | 12mm |

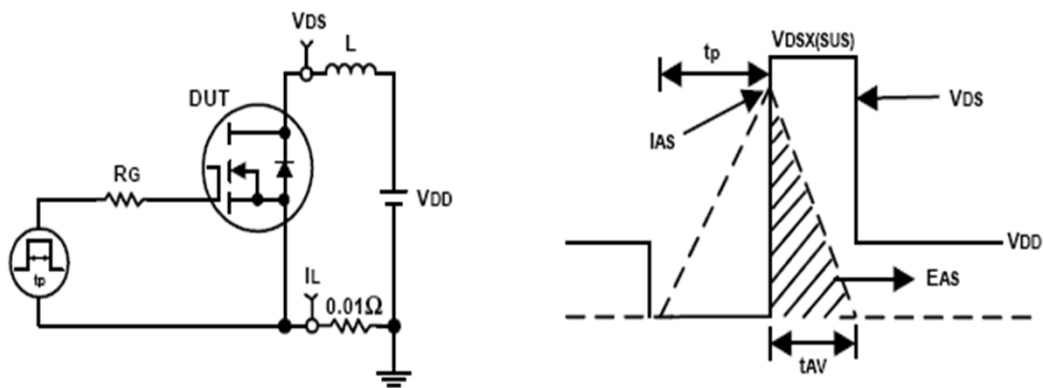
Typical Characteristics



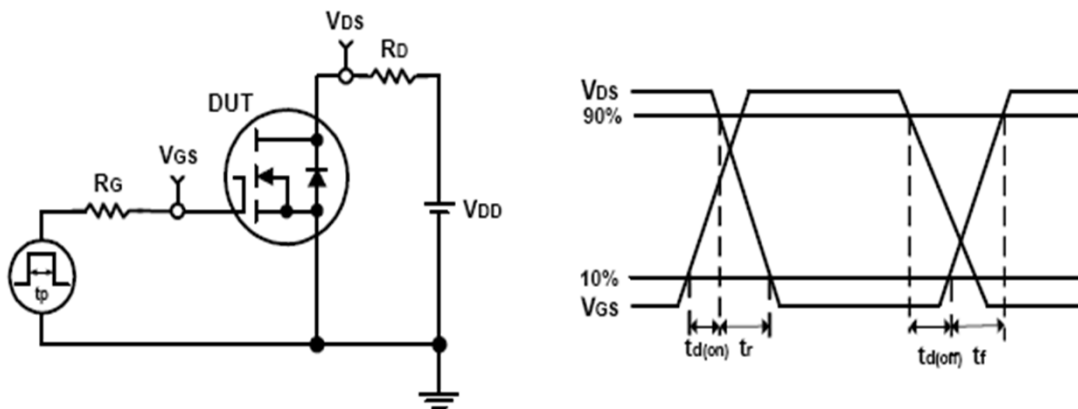
Typical Characteristics



Avalanche Test Circuit and Waveforms

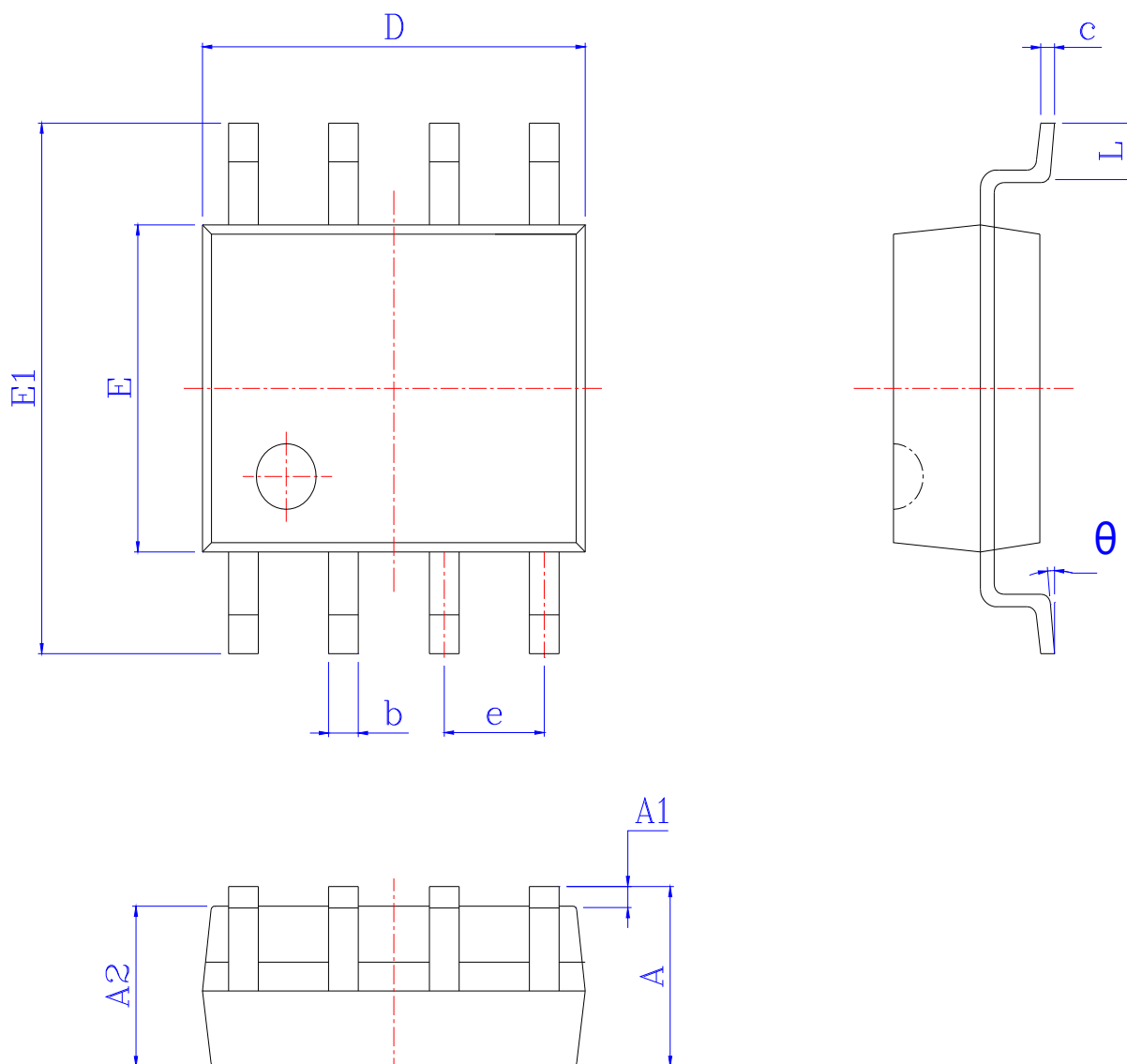


Switching Time Test Circuit and Waveforms



Package Information

SOP-8



| SYMBOL | MM | | | INCH | | |
|----------|-----------|-------|-------|-----------|-------|-------|
| | MIN | NOM | MAX | MIN | NOM | MAX |
| A | 1.300 | 1.525 | 1.750 | 0.051 | 0.060 | 0.069 |
| A1 | 0.050 | 0.150 | 0.250 | 0.002 | 0.006 | 0.010 |
| A2 | 1.300 | 1.450 | 1.550 | 0.051 | 0.057 | 0.061 |
| b | 0.330 | 0.420 | 0.510 | 0.013 | 0.017 | 0.020 |
| c | 0.170 | * | 0.260 | 0.007 | * | 0.010 |
| D | 4.700 | 4.900 | 5.100 | 0.185 | 0.193 | 0.201 |
| E | 3.700 | 3.900 | 4.100 | 0.146 | 0.154 | 0.161 |
| E1 | 5.800 | 6.000 | 6.200 | 0.228 | 0.236 | 0.244 |
| e | 1.270 BSC | | | 0.050 BSC | | |
| L | 0.400 | 0.835 | 1.270 | 0.016 | 0.033 | 0.050 |
| θ | 0° | * | 8° | 0° | * | 8° |

Customer Service

Worldwide Sales and Service:

Sales@ruichips.com

Technical Support:

Technical@ruichips.com

Investor Relations Contacts:

Investor@ruichips.com

Marcom Contact:

Marcom@ruichips.com

Editorial Contact:

Editorial@ruichips.com

HR Contact:

HR@ruichips.com

Legal Contact:

Legal@ruichips.com

Shen Zhen RUICHIPS Semiconductor CO., LTD

4th Floor, Block 8, Changyuan New Material Port, Keyuan Middle Road, Science & Industry Park,
Nanshan District, Shenzhen, CHINA

TEL: (86-755) 8311-5334

FAX: (86-755) 8311-4278

E-mail: Sales-SZ@ruichips.com